

TECHNICAL SPECIFICATIONS

B6BW Series

Air Handler

**13 SEER Residential or
Multi-family System
1.5 - 3.0 Tons (Air Conditioner)**

The B6BW Series air handler, when combined with our heat pump or air conditioner, offers a full line of quality, split system heating and cooling equipment.



Shown in Bottom
Return Application

WARRANTY

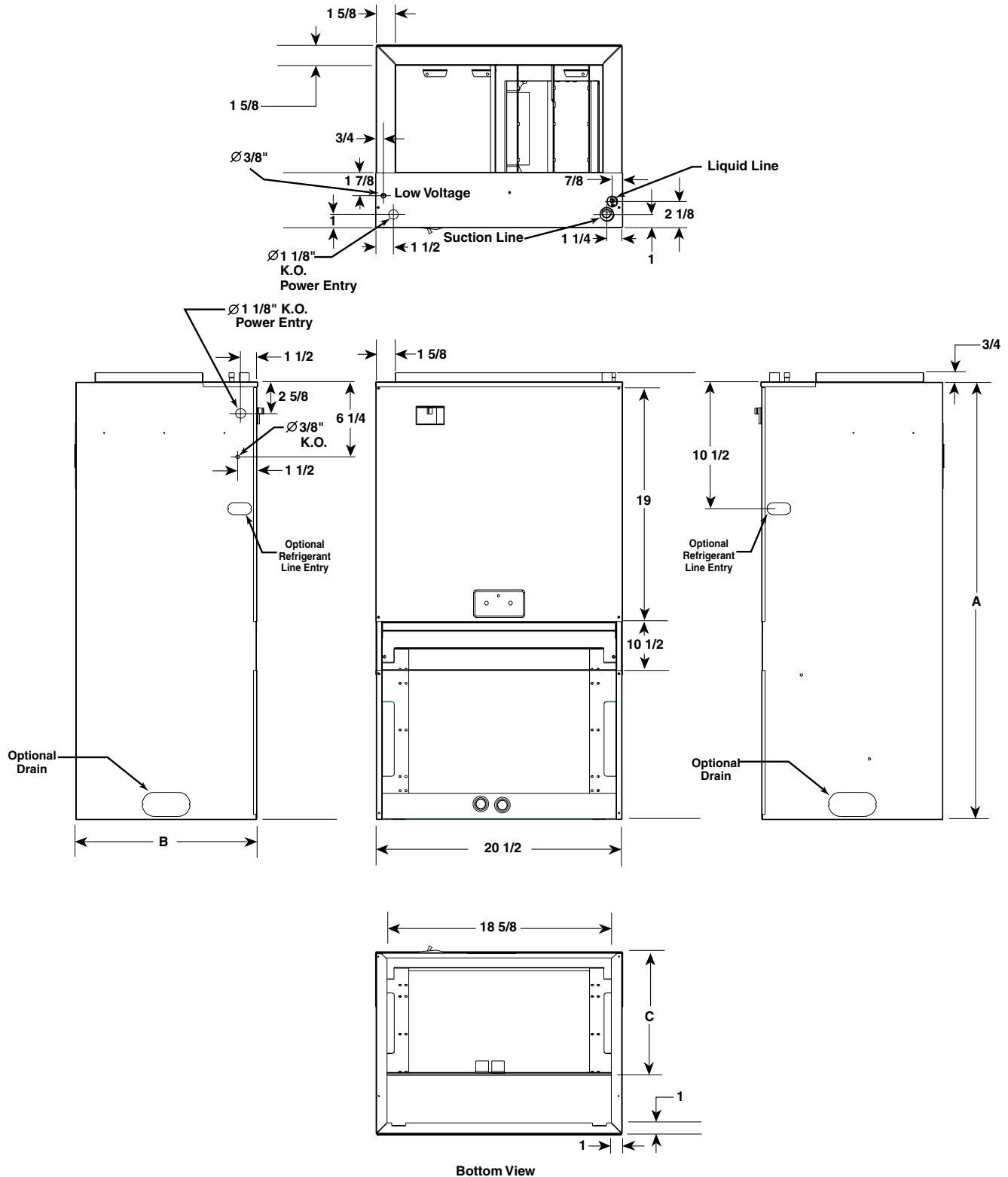
- This product carries a 5-year all parts warranty. When installed with a matched outdoor unit, the air handler will carry the outdoor system warranty. See current warranty document or visit our consumer web site for warranty details.

FEATURES and BENEFITS

- **Durable, Attractive Cabinet:** Designed using galvanized steel with optional white decorative panel. The plastic drain pan is corrosion resistant.
- **Multi-speed:** Gives flexibility of installation.
- **Blower Control Board:** Incorporating blower time delay.
- **Ease-of-Service:** Plug-in wire connections and built-in filter rack makes the air handler easy to service.
- **Heater Kits Installed:** Available in 5kw, 8kw & 10kw.
- **Breaker Accessibility:** Breaker accessible from front of unit.
- **Fully insulated Cabinet:** for quiet operation.
- **Front and/or Bottom Return air**
- **Offset Hanging Bracket for Easy Installation**

DIMENSIONS

Model Number B6BW-	Refrigerant Connections		Filter Size	Supply Air Duct Dimension	A	B	C
	Suction Dia.	Liquid Dia.					
018	3/4	3/8	16 x 20 x 1	9 x 17 1/4	36 3/8	15	9 1/2
024	3/4	3/8	16 x 20 x 1	9 x 17 1/4	36 3/8	15	9 1/2
030	3/4	3/8	20 x 20 x 1	9 x 17 1/4	43 1/2	15	9 1/2
036	3/4	3/8	20 x 24 x 1	15 x 17 1/4	43 1/2	21	15 1/2



SPECIFICATIONS

Model Number B6BW-	018	024	030	036
Nominal Cooling Capacity - Btuh (1)	17,200	24,000	27,600	33,000
Refrigerant Flow Control	Orifice	Orifice	Orifice	Orifice
Orifice Size as Shipped	.048	.057	.060	.069
Available Heat (kw)	5, 8	5, 8, 10	5, 8, 10	5, 8, 10
Nominal Blower Size (D x W)	10 x 6	10 x 6	10 x 6	10 x 8
(H.P. - Speed - Type)	1/9-2-PSC	1/5-2-PSC	1/4-3-PSC	1/2-5-PSC
Rated External Static Pressure (in. W.C.)	.30	.30	.30	.30
Filter Size (see note below)	16 x 20 x 1	16 x 20 x 1	20 x 20 x 1	20 x 24 x 1
Approximate Shipping Weight (lbs.)	80	80	88	92

(1) See current AHRI Directory for certified combinations and ratings.

SYSTEM AIR FLOW DATA

		Dry Coil ESP		0.10	0.20	0.30	0.40	0.50	0.60		
018K	Low			665	645	592	521	422	326		
	High			769	719	656	565	459	347		
		Dry Coil ESP		0.10	0.20	0.30	0.40	0.50	0.60	0.70	0.80
024K	Low			846	795	756	707	668	589	533	467
	High			926	890	845	791	732	672	603	536
		Dry Coil ESP		0.10	0.20	0.30	0.40	0.50	0.60	0.70	0.80
030K	Low			869	832	795	758	704	639	579	507
	Medium			933	903	866	820	770	714	640	576
	High			1014	971	929	884	833	780	714	640
		Dry Coil ESP		0.10	0.20	0.30	0.40	0.50	0.60	0.70	0.80
036K	Low			936	901	891	840	789	739	688	613
	Med-Low			1160	1122	1087	1046	1001	950	899	855
	Medium			1287	1253	1213	1178	1142	1092	1049	1002
	Med-High			1434	1394	1353	1328	1297	1248	1220	1202
	High			1550	1515	1495	1457	1429	1416	1388	1355

Notes:

- 1) Airflow is shown in cfm, +/- 5%.
- 2) External static pressure is shown in inches w.c.
- 3) All airflows are measured with filter and with dry coil. For wet coil, subtract .1" external static pressure.
- 4) See unit nameplate or installation instructions for maximum recommended external static pressure.

ELECTRICAL DATA

Model Number B6BW-	018-05		018-08	
Voltage	208	240	208	240
KW (nominal)	3.8	5	6	8
Minimum Circuit Ampacity (single circuit)	22.8	26.1	34.8	40.2
Maximum Over-Current Protection (single circuit)	25	30	40	45

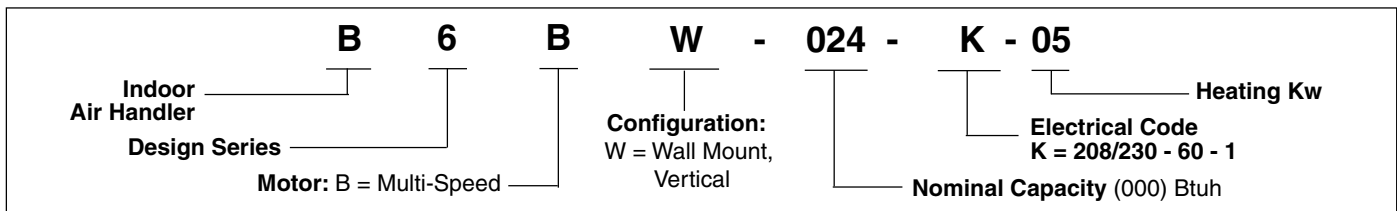
Model Number B6BW-	024-05		024-08		024-10	
Voltage	208	240	208	240	208	240
KW (nominal)	3.8	5	6	8	7.5	10
Minimum Circuit Ampacity (single circuit)	23.1	26.5	35.1	40.6	44.8	51.5
Maximum Over-Current Protection (single circuit)	25	30	40	45	45	60

ELECTRICAL DATA

Model Number B6BW-	030-05		030-08		030-10	
Voltage	208	240	208	240	208	240
KW (nominal)	3.8	5	6	8	7.5	10
Minimum Circuit Ampacity (single circuit)	23.2	26.6	35.2	40.8	44.9	51.6
Maximum Over-Current Protection (single circuit)	25	30	40	45	45	60

Model Number B6BW-	036-05		036-08		036-10	
Voltage	208	240	208	240	208	240
KW (nominal)	3.8	5	6	8	7.5	10
Minimum Circuit Ampacity (single circuit)	26.2	29.8	38.8	44.3	47.8	54.8
Maximum Over-Current Protection (single circuit)	30	30	40	45	50	60

MODEL IDENTIFICATION CODE



- ### ACCESSORIES
- Decorative Louvered Panel - 903892 for 018/024
 - Decorative Louvered Panel - 919583 for 030/036

Outdoor Unit Model Number	Indoor Unit + TDR	BTUH	SEER	EER	SCFM	Orifice Size Required
JS6BD-024K	B6BW-024K	23400	13	11.0	850	.057
JS6BD-030K	B6BW-030K	27600	13	11.0	950	.060
JS6BD-036K	B6BW-036K	33000	13	10.9	1080	.069

Outdoor Unit Model Number	Indoor Unit + TDR	BTUH	SEER	EER	SCFM	Orifice Size Required
*S4BD-018KB	B6BW-018K	17200	13	11.0	600	0.048
*S4BD-024KB	B6BW-024K	22800	13	11.0	750	0.057
*S4BD-030KB	B6BW-030K	27600	13	11.0	950	0.060
*S4BD-036KB	B6BW-036K	34200	13	11.0	1100	0.067

NOTE: See Current AHRI Directory for certified combinations and ratings. www.ahridirectory.org



GENERAL TERMS OF LIMITED WARRANTY

NORDYNE will furnish a replacement for any part of this product which fails in normal use and service within the first five years of installation, in accordance with the terms of the warranty.

For complete details of the Limited Warranty, including applicable terms and conditions, see your local installer or contact the NORDYNE warranty department for a copy.

NORDYNE

COMPLETE COMFORT. GENUINE VALUE. 8000 Phoenix Parkway | O'Fallon, MO 63368-3827

Specifications and illustrations subject to change without notice and without incurring obligations. Printed in U.S.A (01/2015)

603D-0115 (Replaces 603D-1212)